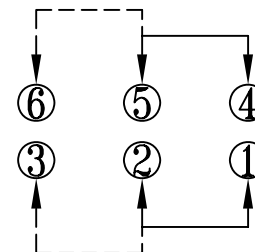
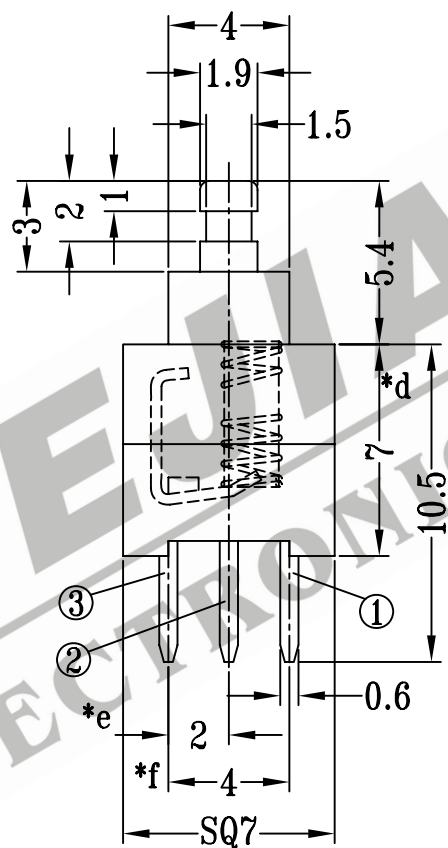
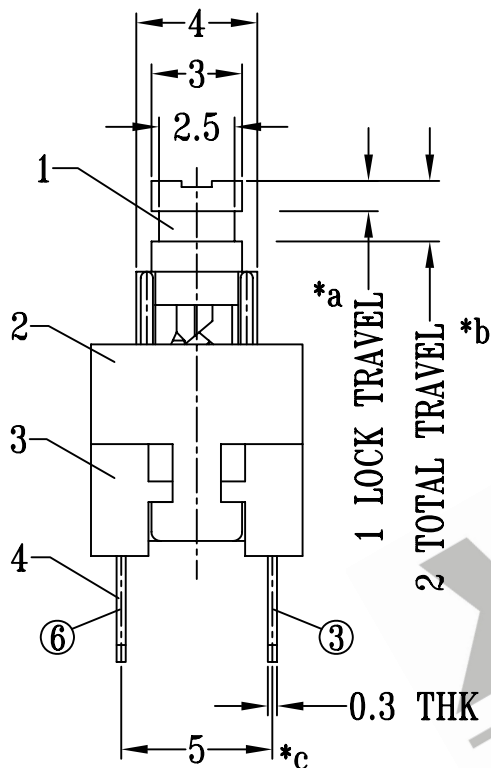
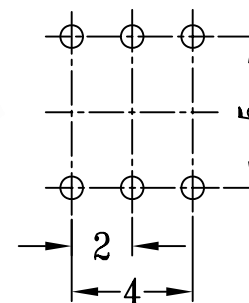


CAD FILE:



**SCHEMATIC**



**P.C.B LAYOUT**

注:带"\*"表示关键尺寸(6个)

NO.	PART NAME	MATERIAL	Q'TY	FINISHING	TOLERANCE UNLESS SPECIFIED	SHENZHEN XIEJIA ELECTRONICS CO.,LTD.					
8						ISSUE		DATE		DESCRIPTIONS	APPD.
7	CAM STICK	STAINLESS STEEL	1	WASHING	WITHIN: 1.5±0.1mm OVER : 1.5±0.2mm	TITLE : VERTICAL PUSH SWITCH		UNIT : MM	DRWG NO.: XJ-DR-PB22E27-00		
6	SPRING	STAINLESS STEEL	1	TEMPER		MODEL: PB-22E27		SCALE: 4 : 1	DWN.	ZHOUYU	2004-6-15
5	CONTACT CLIP	PBS	2	Ag CLAD					CHK'D	FANGYING	2004-6-15
4	TERMINAL	PBT/BRASS STRIP	2	BLACK/Ag PLATED OVER Ni PLATED		ALL MATERIALS MUST BE COMPLIANT TO ROHS			APPD.	KANGXINAN	2004-6-15
3	CASE	PBT	1	BLACK							
2	COVER	POM	1	WHITE							
1	KNOB	POM	1	BLUE/BLACK/WHITE/GREY							